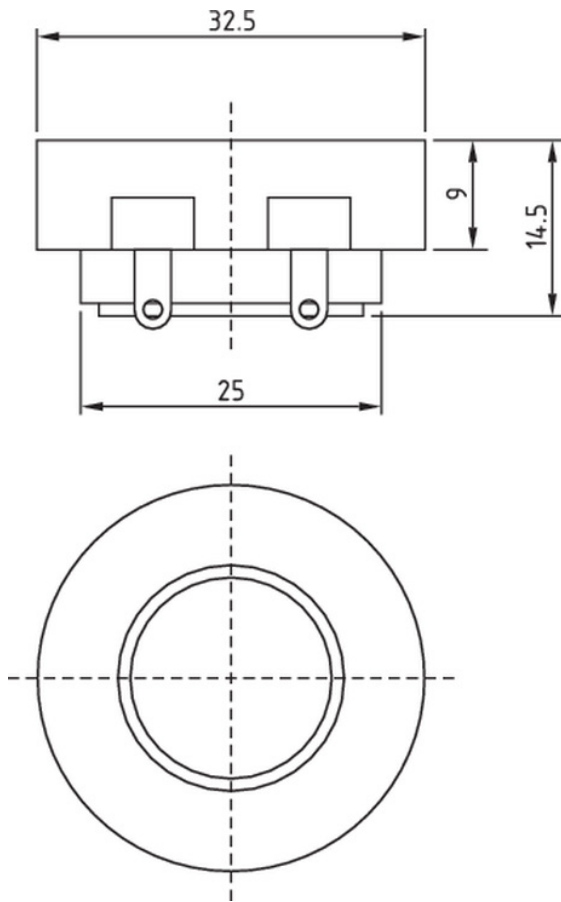




ND16FA-6 5/8" Neodymium Dome Tweeter 6 Ohm

ND16FA-6



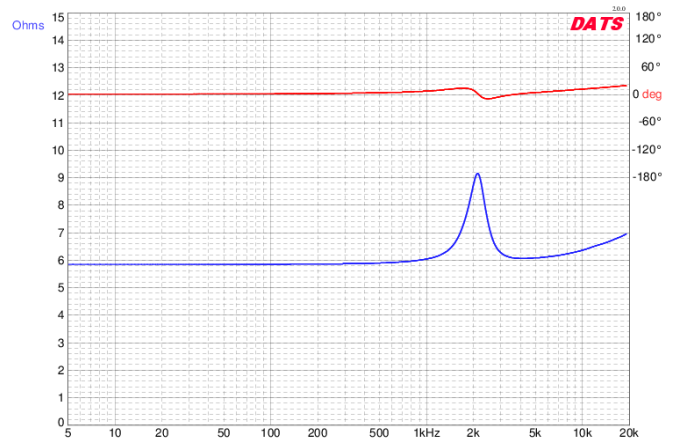
PARAMETERS

Impedance	6 ohms
Re	5.8 ohms
Le	0.04 mH @ 10kHz
Fs	2125 Hz
Qms	3.45
Qes	6.09
Qts	2.20
Mms	N/A
Cms	N/A
Sd	2.0 cm ²
Vd	N/A
BL	N/A
Vas	N/A
Xmax	N/A
VC Diameter	16 mm
SPL	88 dB @ 2.83V/1m
RMS Power Handling	10 watts
Usable Frequency Range (Hz)	3,500 - 27,000 Hz

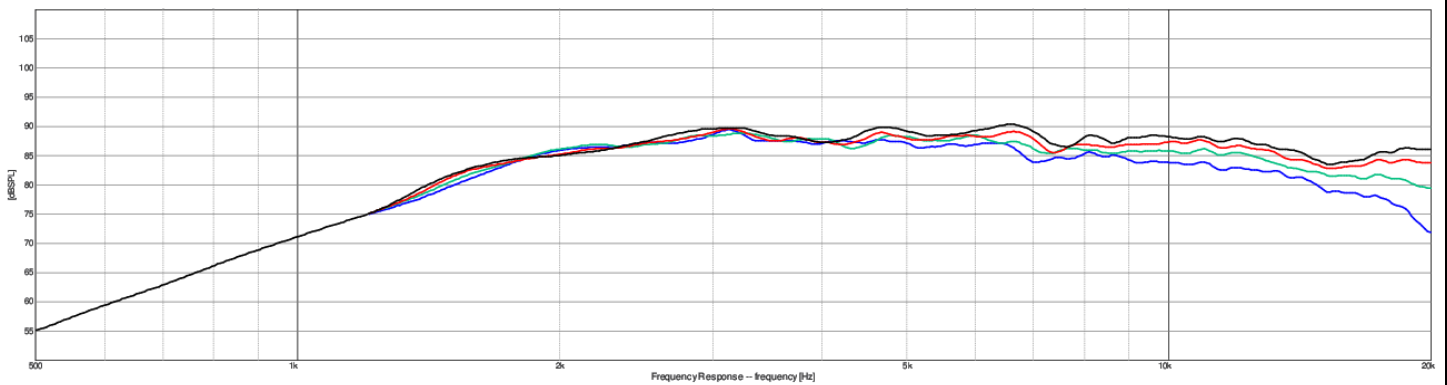
FEATURES

- Unique front pressfit, flush-mount design
- Center-to-center spacing as low as 1-3/8"
- Extended response with superior off-axis dispersion
- Compact neodymium motor is effectively self-shielded
- Ferrofluid enhances power handling and helps damp resonance

IMPEDANCE/PHASE



FREQUENCY RESPONSE



Note: 1/24th octave smoothing - nearfield response included in graph below 450 Hz.

Black = 0°
Red = 15°
Green = 30°
Blue = 45°