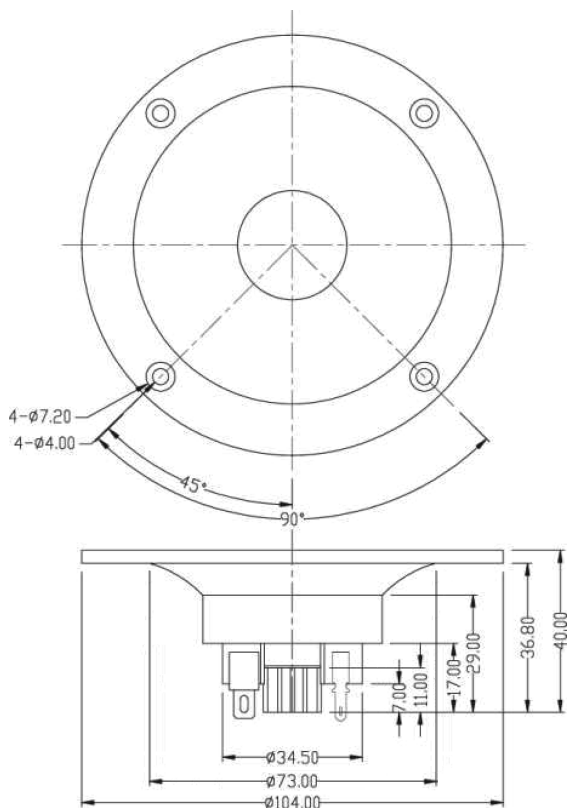




ND25FW-4 1" Soft Dome Neodymium Tweeter with Waveguide 4 Ohm



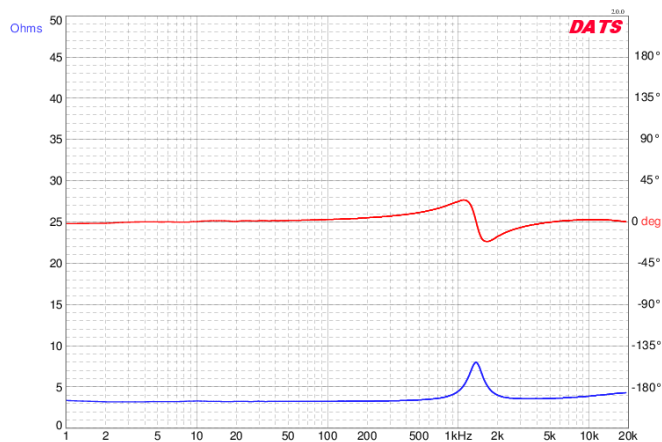
PARAMETERS

Impedance	4 ohms
Re	3.2 ohms
Le	0.04 mH
Fs	1,350 Hz
Qms	N/A
Qes	N/A
Qts	N/A
Mms	N/A
Cms	N/A
Sd	N/A
Vd	N/A
BL	N/A
Vas	N/A
Xmax	N/A
VC Diameter	1"
SPL	91 dB @ 1W/1m
RMS Power Handling	20 watts
Usable Frequency Range (Hz)	2,500 - 20,000 Hz

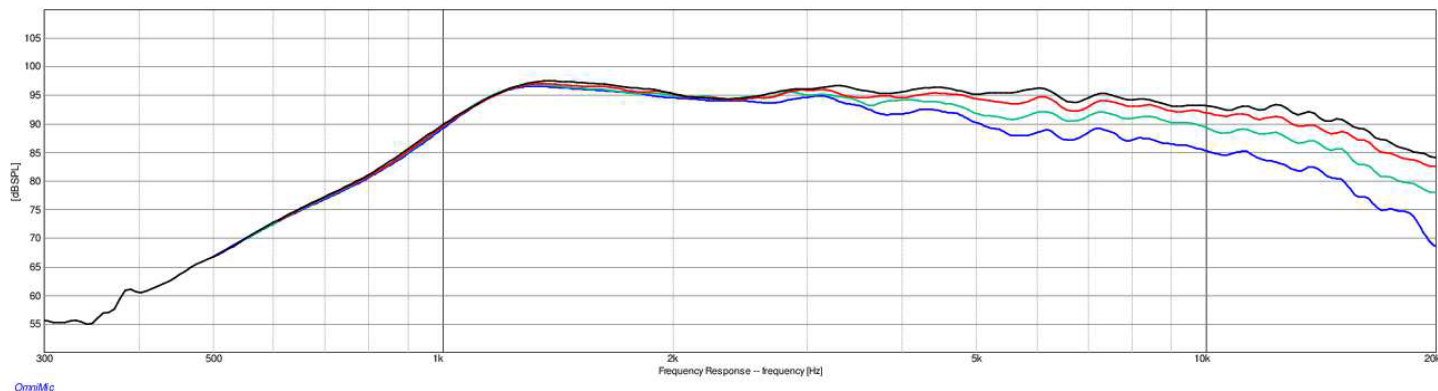
FEATURES

- Waveguide-loaded 1" treated silk dome
- Waveguide provides controlled directivity and higher efficiency
- High-strength neodymium motor with heatsink and ferrofluid cooling
- Low Fs of 1,350 Hz can accommodate crossover points as low as 2,500 Hz
- Standard 104 mm tweeter cutout for easy integration into many existing systems

IMPEDANCE/PHASE



FREQUENCY RESPONSE



Note: 1/24th octave smoothing - nearfield response included in graph below 450 Hz.

Black = 0°
Red = 15°
Green = 30°
Blue = 45°