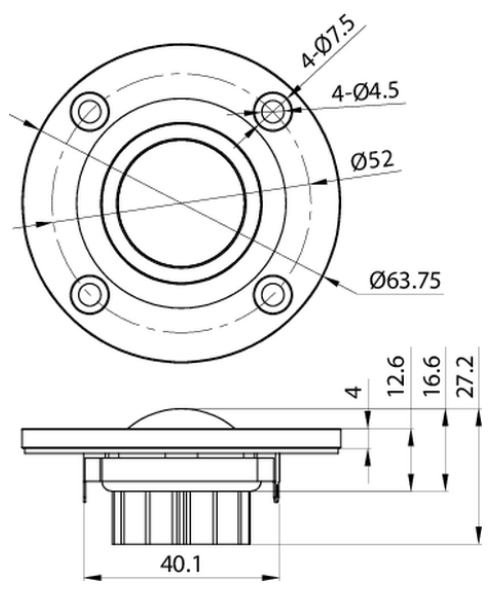




NHP25F-4 1" Soft Dome High Power Neodymium Tweeter 4 Ohm



| PARAMETERS | |
|-----------------------------|-------------------|
| Impedance | 4 ohms |
| Re | 3.18 ohms |
| Le | 0.03 mH |
| Fs | 1689 Hz |
| Qms | 3.75 |
| Qes | 2.04 |
| Qts | 1.32 |
| Mms | N/A |
| Cms | N/A |
| Sd | N/A |
| Vd | N/A |
| BL | N/A |
| Vas | N/A |
| Xmax | N/A |
| VC Diameter | 25.4 mm |
| SPL | 95 dB 2.83V/1m |
| RMS Power Handling | 40 watts |
| Usable Frequency Range (Hz) | 3,000 - 20,000 Hz |

- ### FEATURES
- Attached heatsink and ferrofluid cooling for increased power handling
 - Over 95 dB efficient is perfect for use in higher output designs
 - Compact cast aluminum faceplate minimizes center to center distance
 - High temperature neodymium motor allows high output for extended periods
 - Extremely smooth response makes for easy transition to midrange driver

