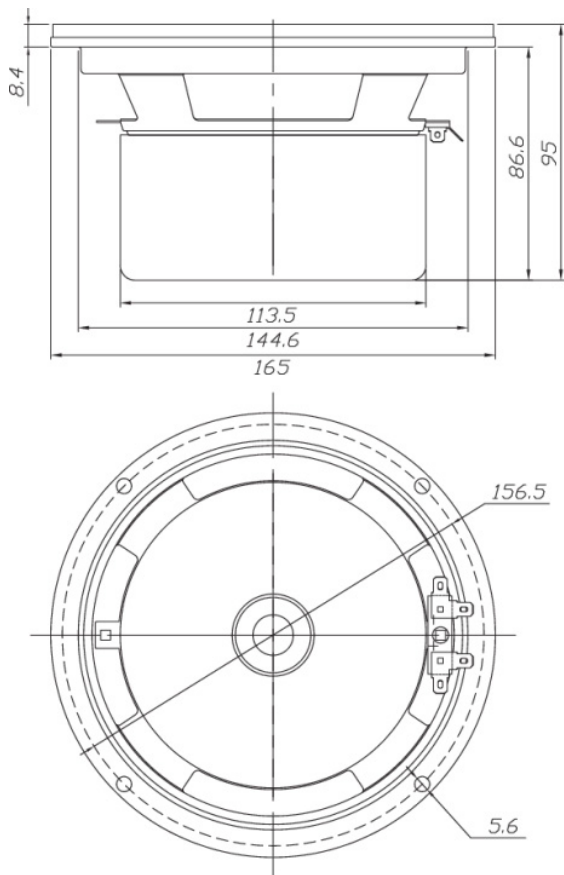




# DC160S-8 6-1/2" Classic Shielded Woofer 8 Ohm

DC160S-8



## PARAMETERS

Impedance	8 ohms
Re	6.9 ohms
Le	2.29 mH @ 1 kHz
Fs	30.3 Hz
Qms	3.04
Qes	0.33
Qts	0.30
Mms	32.2g
Cms	0.86 mm/N
Sd	134.8 cm <sup>2</sup>
Vd	42.5 cm <sup>3</sup>
BL	11.3 Tm
Vas	22.5 liters
Xmax	3.15 mm
VC Diameter	35 mm
SPL	85.3 dB @ 2.83V/1m
RMS Power Handling	50 watts
Usable Frequency Range (Hz)	33 - 4,000 Hz

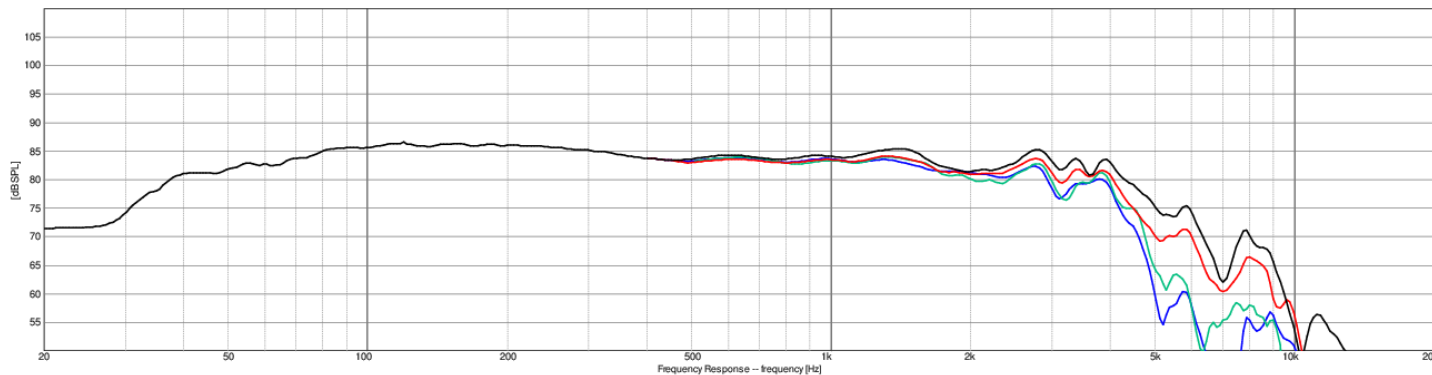
## FEATURES

- Great bang-for-the-buck driver can be used as a woofer, midbass, or even as a small subwoofer
- Smooth frequency response up to 2 kHz and great bass response
- Rubber surround, aluminum voice coil, and extended bump plate
- Low 32 Hz free-air resonance

## IMPEDANCE/PHASE



## FREQUENCY RESPONSE



Note: 1/12<sup>th</sup> octave smoothing - nearfield response included in graph below 450 Hz.

Black = 0°  
Red = 15°  
Green = 30°  
Blue = 45°