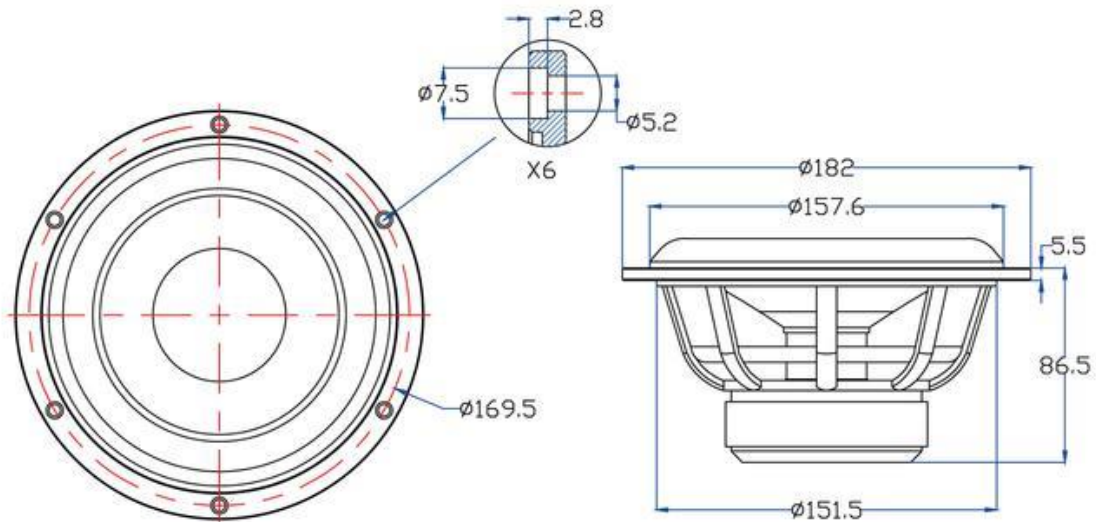
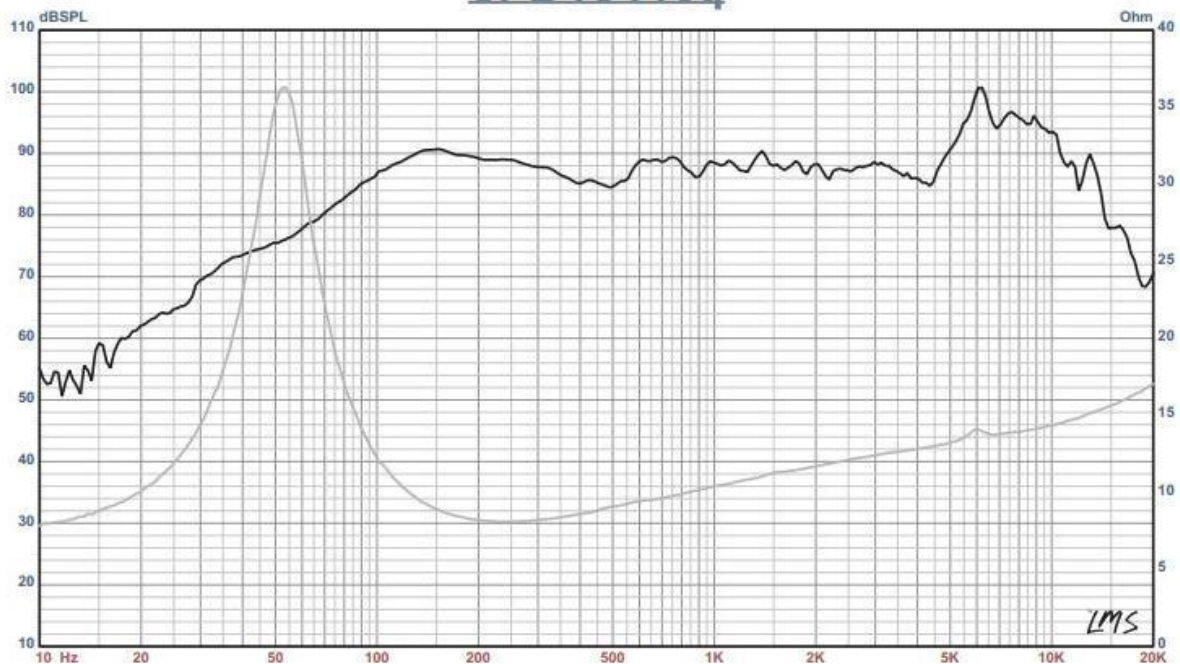


SPL vs Freq



Basic parameters:

Resonant frequency (f_s)	48.6 Hz	Nominal impedance (Z_n)	8 Ω
Mechanical Q factor (Q_{ms})	2.31	DC resistance (R_e)	6.8 Ω
Electrical Q factor (Q_{es})	0.52	RMS power handling	50W
Total Q factor (Q_{ts})	0.42	Sensitivity (2.83V/1m)	87.1dB

Equivalent volume (Vas)	15.1L	Chassis diameter	182 mm
-------------------------	-------	------------------	--------