

Features

- Mobile audio processor
- Flexible DSP structure

Hardware

- 172MHz - 28/56bit DSP path
- 24bit ADC / DAC
- 110dB SNR ADC IC & DAC
- SPDIF digital Input
- 4 x analog inputs + 8 x analog outputs

External control

- Wired external remote for volume control and preset selection
- I.R. remote control for volume control and preset recall

Software Control

- USB 2.0 interface
- Plug & Play - no driver required
- Windows & Mac compatible
- Firmware upgradeable for future expansion

Power

- Single 12VDC supply
- Isolated DC-DC convertor
- Remote IN/OUT with delay

Applications

- Mobile Audio DSP processor
- Amplifier + DSP applications

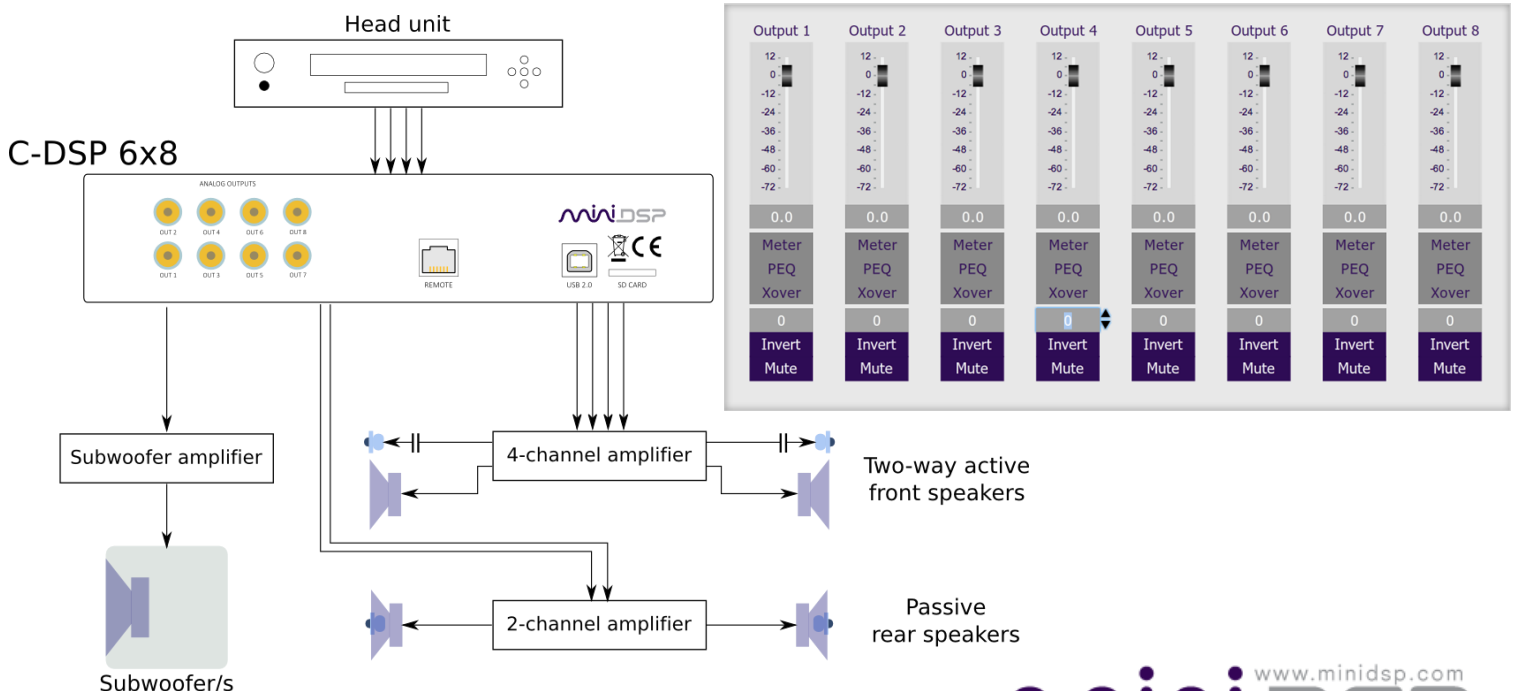
The miniDSP C-DSP 6x8 is a Digital Signal Processor (DSP) targeting mobile/ car audio installations. Leveraging years of experience building reliable platforms, miniDSP engineered the C-DSP 6x8 to pack plenty of processing power and I/O into a small and sturdy enclosure—a perfect fit for installations with limited space.

On the hardware side, the audio configuration of 6 x inputs (analog and digital) by 8 x outputs is perfect for multi-way setups. Don't be fooled by its size or its price, this small enclosure packs high quality converters and enough DSP power to make your audio tweaking dreams come true.

On the software side, the software application allows real time control of the unit via its driverless USB interface. The onboard microSD card slot supports offline configuration and firmware updates if you ever miss your laptop. Finally, the C-DSP 6x8 will follow in the footsteps of our product line with constant upgrades via new plug-ins and new features. Stay tuned for an exciting new ride!



TYPICAL APPLICATION



HARDWARE SPECIFICATIONS

Item	Description
Digital Signal Processor	172MHz, 28/56bit Digital Signal Processor, ADAU1445
Control	Driverless USB 2.0 control interface for control from Windows or Mac OS X
Audio inputs	4 x High level (Terminal Block) - Max 8 Vrms 4 x low level Unbalanced (RCA) inputs - Max 4 Vrms
Audio outputs	8 x outputs on RCA connector - Max 2Vrms
ADC/DAC Resolution	24-bit, 48 kHz
Digital Audio input	1 x SPDIF on RCA connector, transformer isolated Asynchronous sample Rate converter for signal 44.1 to 192 kHz
Wired external Remote	External wired remote for control of active preset, master volume and master mute; LED indication of master volume and active preset. Provides power and data connection to the external remote via RJ11 cable.
microSD Card	Allows setup and firmware upgrade of the unit offline without a laptop
Power supply	Isolated DC-DC conversion for Car Audio environment
Dimensions (H x W x D) mm	41 x 205 x 122 mm
Enclosure	Powder coated metal enclosure with removable mounting brackets

MECHANICAL SPECIFICATIONS

