

SPECIFICATIONS

PR270WA01 10½" air-dried paper cone passive radiator

The 10½" passive radiator PR270WA01 was designed for high performance compact subwoofer applications. Optimized for working with the active 10½" subwoofer SW270WA01 but will function well with any suitable active subwoofer transducers.



FEATURES

- Very rigid air dried paper cone to ensure piston motion at high levels
- Rigid steel chassis with extensive venting for lower air flow speed reducing audible distortion
- Low-loss suspension (high Qm) for better reproduction of details and dynamics
- Conex spider for better durability under extreme conditions
- Custom tunable by adding one or more of the three extra weights (included)

NOMINAL SPECIFICATIONS

Notes	Parameter	Before burn-in	After burn-in	Unit
	Nominal size	10½		[inch.]
	Effective radiating area, S _d	312		[cm ²]
1	Resonance frequency (free air, no baffle), F _s - without additional mass - with additional 25 g mass - with additional 50 g mass - with additional 75 g mass - with additional 100 g mass - with additional 125 g mass - with additional 150 g mass - with additional 175 g mass	26 23.5 21.6 20.1 18.9 17.9 17.0 16.3		[Hz]
2	Moving mass, incl. air (free air, no baffle), M _{ms} , without extra weights	112		[g]
1	Suspension compliance, C _{ms}	0.33		[mm/N]
1	Equivalent air volume, V _{as}	46		[lit.]
1	Mechanical Q, Q _{ms} - without additional mass - with additional 25 g mass - with additional 50 g mass - with additional 75 g mass - with additional 100 g mass - with additional 125 g mass - with additional 150 g mass - with additional 175 g mass	24 26.5 28.9 31.0 33.0 34.9 36.7 38.4		[-]
	Maximum cone travel, mechanical limits, X _{max}	±20		
	Total unit net weight excl. packaging	0.64		[kg]

Note 1 The unit is not burned in before shipping.

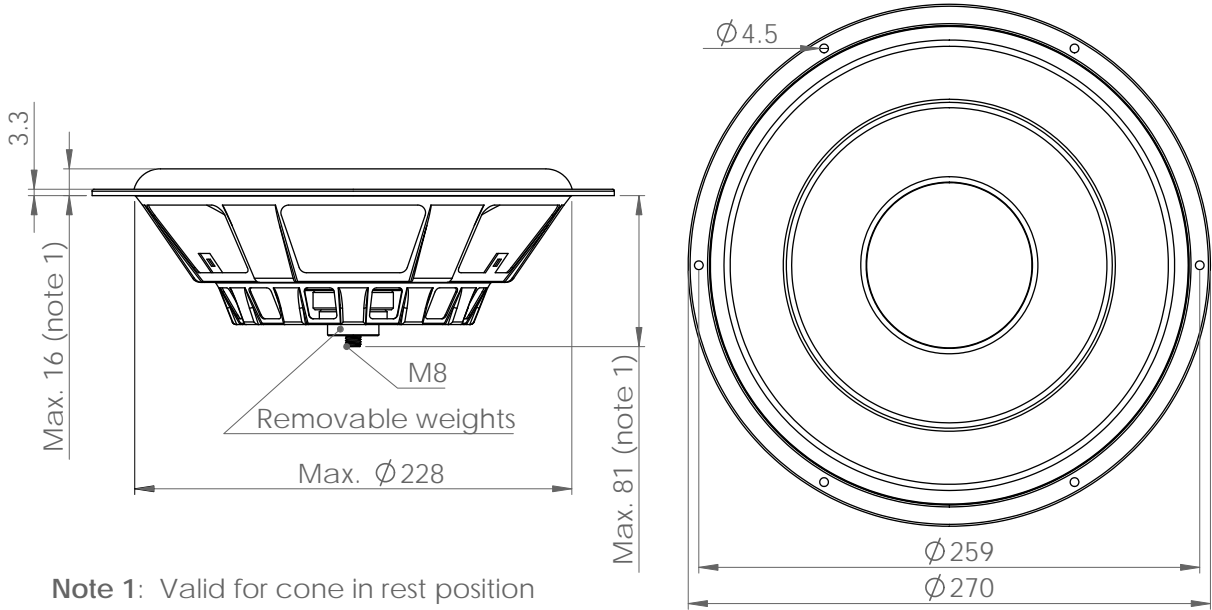
Note 2 The moving mass may be increased in 25 g steps up to a maximum of +175 g by adding one or more of the three extra weights that are included with the unit.

SPECIFICATIONS

PR270WA01 10½" air-dried paper cone passive radiator

OUTLINE DRAWING (nominal dimensions)

Dimensions in mm



Note 1: Valid for cone in rest position

April 27, 2014

PACKAGING AND ORDERING INFORMATION

Part no. PR270WA01-01	Individual packaging (one piece per box), incl. 3 separate weights
-----------------------	--

Latest update: Apr. 27, 2014