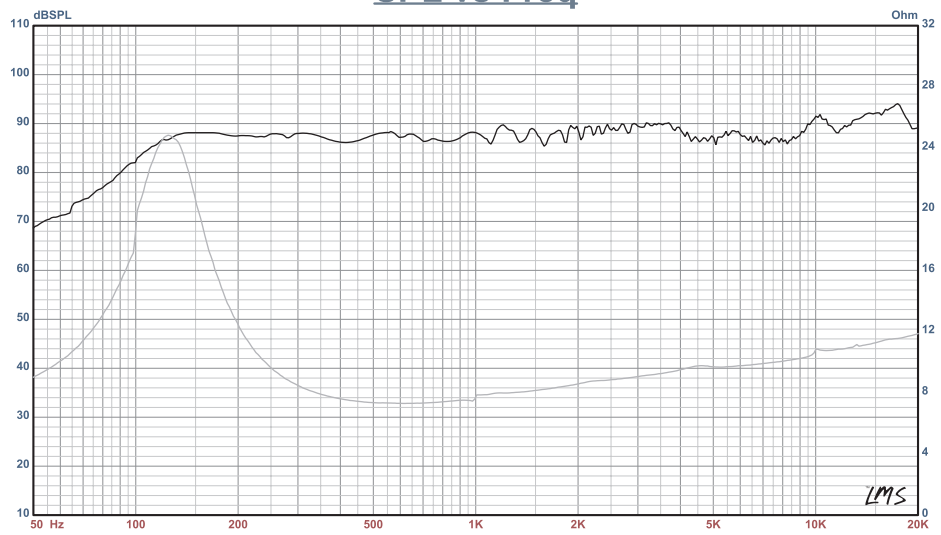


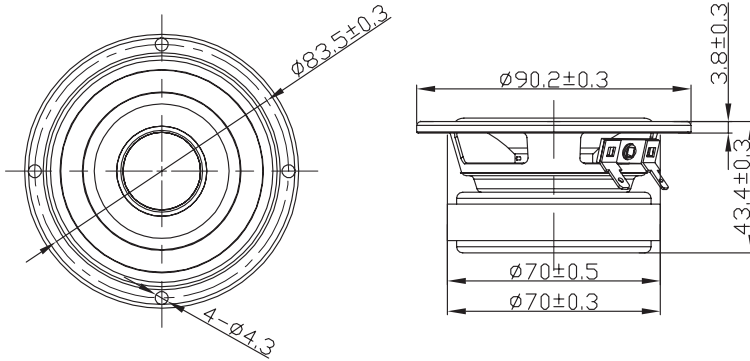


FE85 fullrange driver

- aluminum cone
- 20mm voice coil
- smooth frequency response

### SPL vs Freq





mechanical drawing

Specifications		Magnet System	
Overall Dimensions	D90X43.4mm	Magnet system type	ferrite
Net. Weight	0.47 kgs	Magnetic Gap Height	3mm
Nominal Power Handling	12 W rms	B Flux Density	1.0T
Nominal Impedance	8 Ohms	Bl Product	3.7Tm
Sensitivity 1W/1M	85.7dB	Max Linear Excursion	1.5mm +/-
Frequency Response	100-25,000Hz	T/S Parameter	
Resonant frequency	125Hz	Cms	0.82mm/N
Voice Coil		Sd	27cm <sup>2</sup>
Voice Coil Diameter	20mm	Vas	0.85L
Voice Coil Height	7mm	Mmd	1.991gm
Voice Coil Former	Black aluminum	Mms	2.073gm
Voice Coil Wire	copper round	Qms	2.13
Number of Layers	2	Qes	0.67
DC Resistance	6.0 Ohms	Qts	0.52