

Alpair 10M Gen.3

Gen. 3 Extended Full-Range emitter

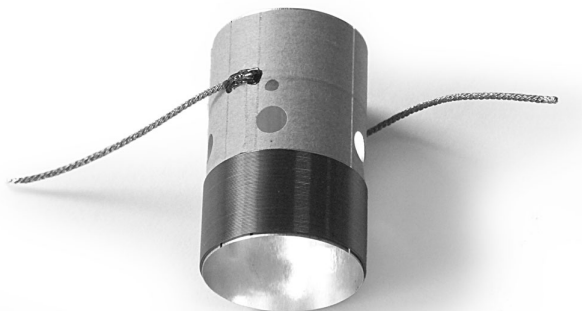
Gold cone model



This Alpair 10 Gen.3 is the latest model in a development line designed to extend the performance of mid-sized Markaudio full-range emitters. This generation of Alpair 10 utilises a new ultra thin wall coil. Together with a new modification to its cone, this latest model delivers usable frequency range up to 25-kHz while retaining the “purist” single-cone design,

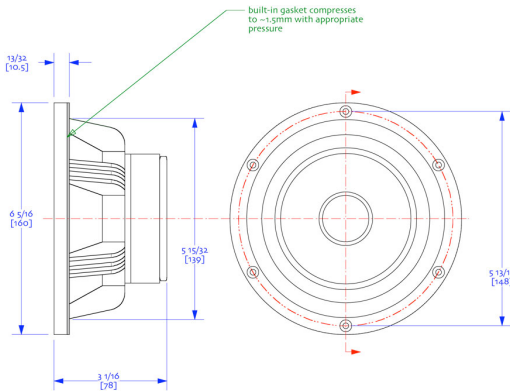
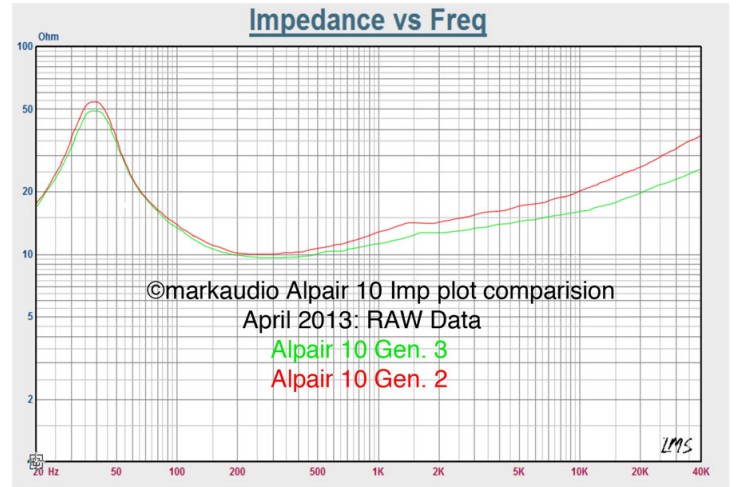
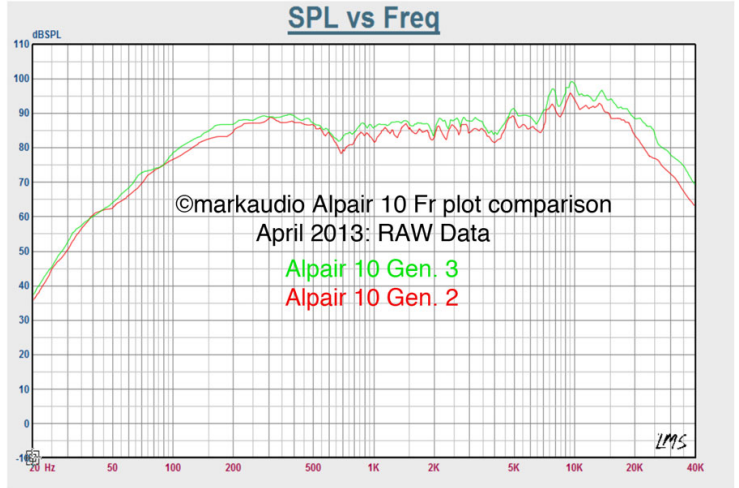
This driver retains the Multi-form cone technology with a new more efficient profile giving improved high range performance. Additional features include an advanced Nomex super-light rear suspension (spider). The Alpair 10's frame is formed from a new mix of polymers, making it 5% stiffer than the old model. The Gen.3 version houses an “Arrestor” in its magnetic motor sub-assembly, helping to avoid damage from over-load situations.

©markaudio-April 2103-Thin bodied coil-Alpair 10 Gen.3

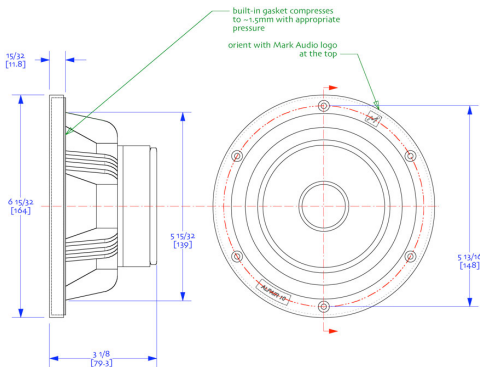




Alpair 10 Gen.3
 T/S date LMS V4 Anechoic:
 Revc= 7.200 Ohm
 Fo= 38.266 Hz
 Sd= 8.825K mm²
 Vas= 26.320 Ltr
 Cms= 2.380m M/N
 Mmd= 6.792 g
 Mms= 7.269 g
 BL= 5.772 TM
 Qms= 1.930
 Qes= 0.378
 Qts= 0.316
 Levc= 71.379u H
 No= 0.378 %
 SPLo= 87.988 dB
 Xmax = 7.5mm (1 way with Arrestor)
 Power = 30 watts nom.



 Alpair 10.2
 no bezel cover
 driver dimensions
 drawn by did | 24 June 2011



 Alpair 10.2
 with bezel cover
 driver dimensions
 drawn by did | 24 June 2011

