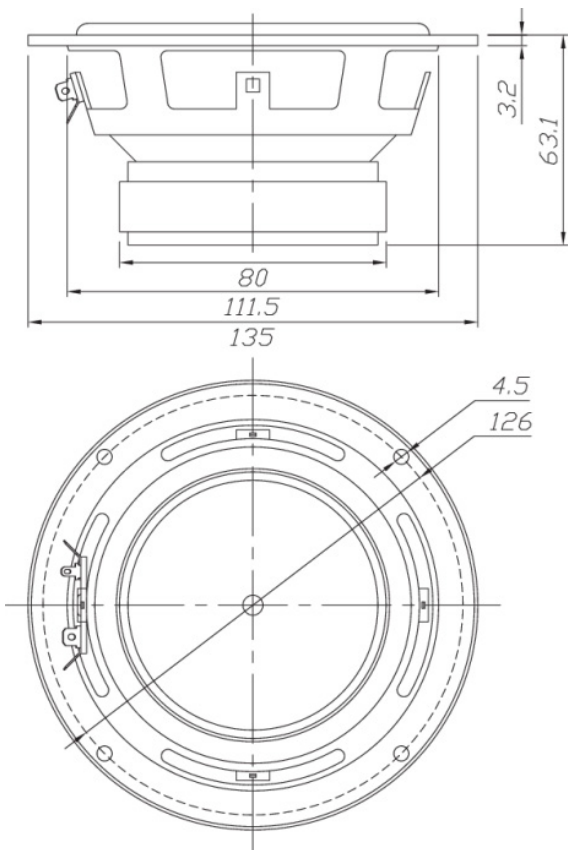




DA135-8 5-1/4" Aluminum Cone Woofer

DA135-8



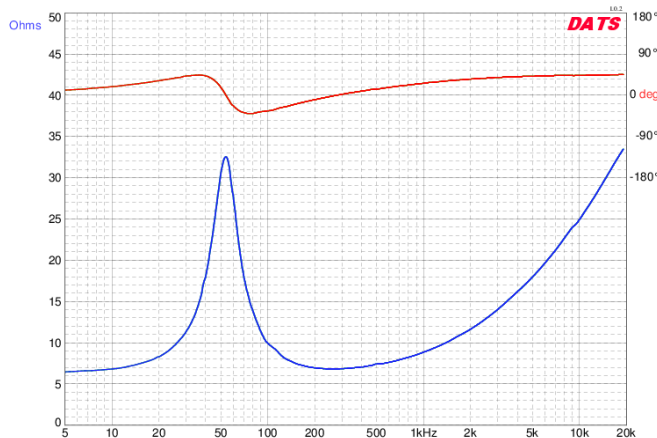
PARAMETERS

Impedance	8 ohms
Re	6.4 ohms
Le	0.97 mH
Fs	56.5 Hz
Qms	2.61
Qes	0.68
Qts	0.54
Mms	8.54g
Cms	0.93 mm/N
Sd	75.4 cm ²
Vd	22.6 cm ³
BL	5.32 Tm
Vas	7.4 liters
Xmax	3.0 mm
VC Diameter	25 mm
SPL	85 dB @ 1W/1m
RMS Power Handling	30 watts
Usable Frequency Range (Hz)	50 - 15,000 Hz

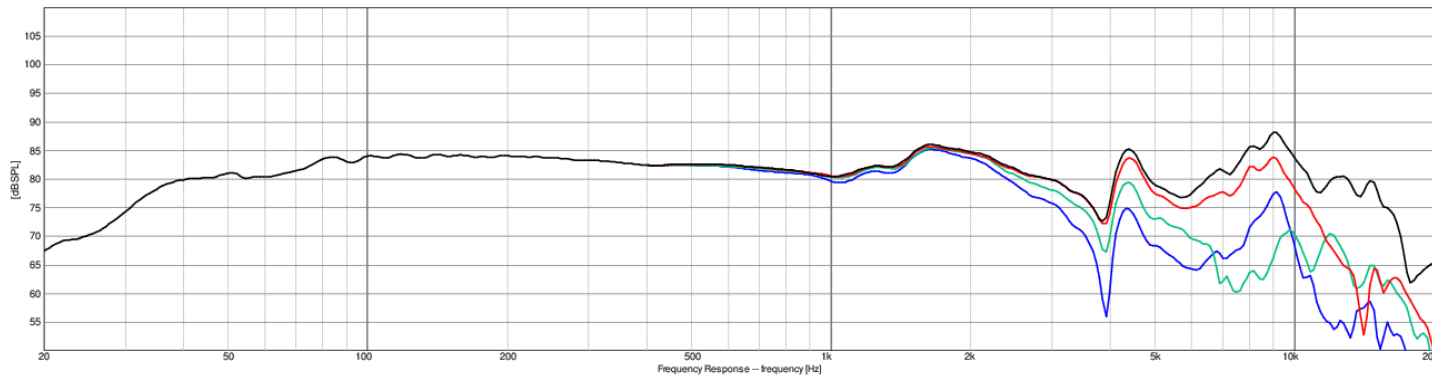
FEATURES

- Makes a great studio monitor speaker
- Aluminum cone offers a flat frequency response
- Cosmetically appealing integrated trim ring
- Very low distortion driver

IMPEDANCE/PHASE



FREQUENCY RESPONSE



Note: 1/12th octave smoothing - nearfield response included in graph below 450 Hz.

Black = 0°
Red = 15°
Green = 30°
Blue = 45°