

Notes:

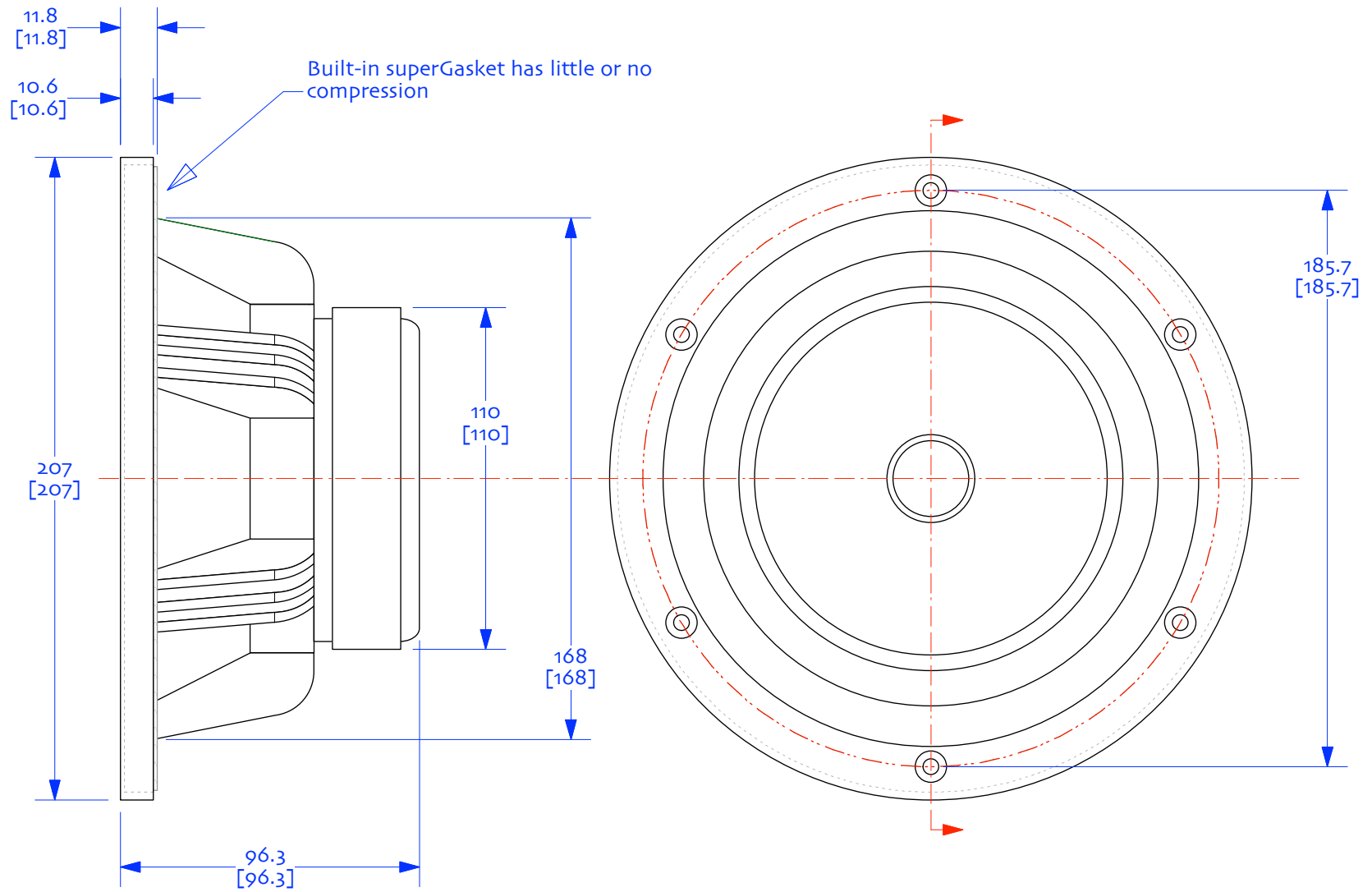
0/ drawing uses 3/4" (19.1mm) material.
 Quality multi-ply recommended
 1/ stuff with 1/2 to 3/4 pound per ft³ (1.56 to 2.34 pounds = 0.71 - 1.1 kg) of polyfill
 2/ cleats on back to allow for removable back, useful for adjusting the stuffing
 3/ bracing is optional, but strongly recommended. For bracing ideas please see the bracing sheet in the original generation 1 superPensil12 plans

Smaller Pensil 12.2p differs only from the SuperPensil in the depth of the box. For Pensil 12.2p put the back here.



Super Pensil & Pensil 12.2p
 Alpair 12.2p

designed by S Lindgren drawn by dld
 19-october-2012
 ©2010-2012 Markaudio All rights reserved
 NOT for commercial use without prior written approval from Markimage Limited



Alpair 12.2p
with bezel cover
driver dimensions
drawn by dld | 19-october-2012