

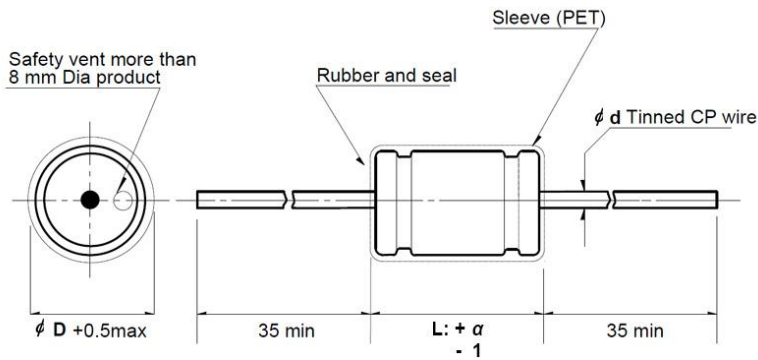
FEATURES

- Low Dissipation Factor, MAX 10% at 1KHz
- Specially produced for Cross-Over Networks with high fidelity audio system
- High-quality crossover non-polar aluminum electrolytic capacitors
- Product mainly used: audio converters and dividers (partials), Audio amp, automotive electronics products, speaker.

Note 1: Other Dissipation Factor 3%, 4%, 5%, 6%, 7%, 8%, 9%, 12% are available on request.

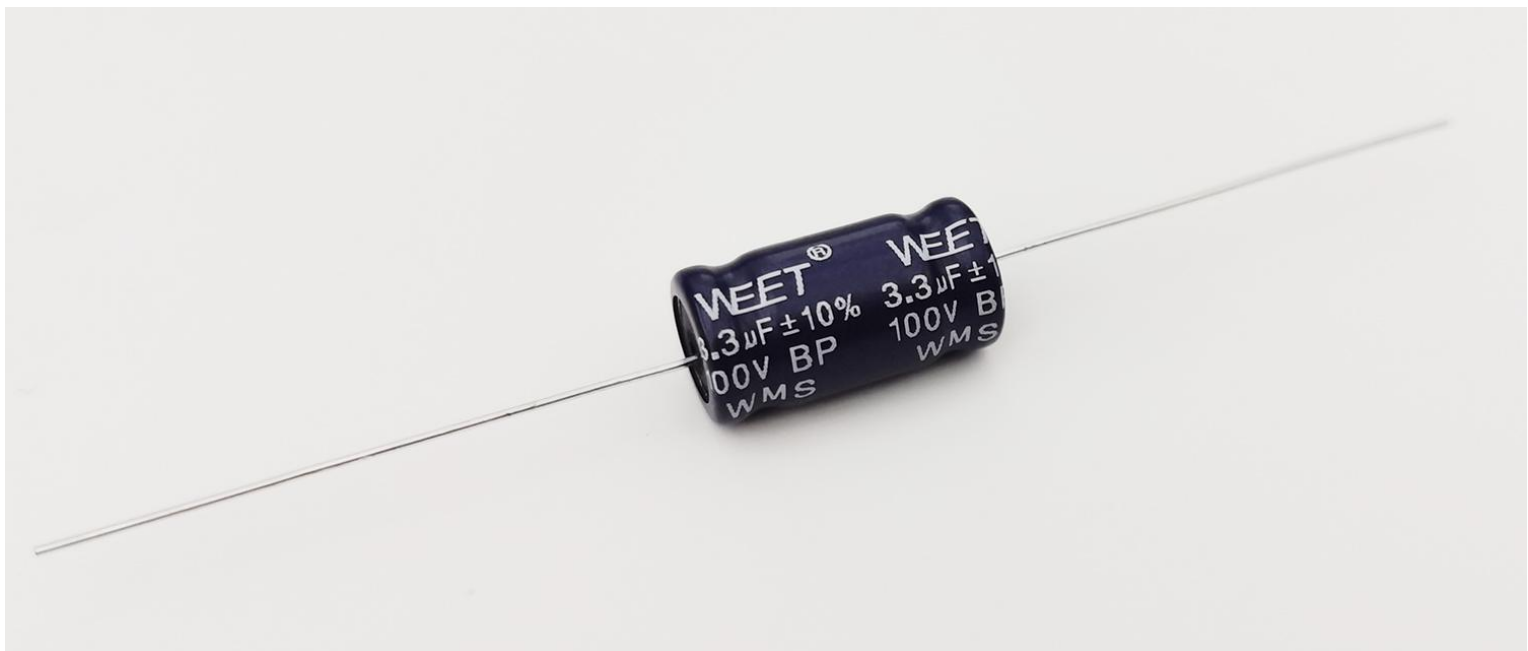
Note 2: The sleeve (PET) color of the product differs from batch to batch, so there will be slight color difference. Thank you.

DRAWING (mm)



| Lead Diameter: | | | | | | | |
|----------------|-----|-----|-----|-----|-----|-----|-----|
| φ D | 8 | 10 | 13 | | 16 | 18 | 22 |
| φ d | 0.6 | 0.6 | 0.6 | 0.8 | 0.8 | 0.8 | 0.8 |
| α | 0.8 | 1.5 | 2.0 | 2.0 | 2.0 | 2.0 | 2.0 |

PICTURE



SPECIFICATIONS

| | |
|-----------------------------------|--|
| Operating Temperature Range (°C): | -40°C ~ +105°C |
| Capacitance Tolerance : | ±10% (K) at 1KHZ |
| Voltage Range: | 50V, 100V.DC |
| Leakage Current: | MAX. 0.03CV + 3µA After 5 minutes application of rated working voltage |
| Load Life: | After 1,000 hours application of rated voltage at 105 ±2°C, capacitors meet the characteristics requirement listed at right. |
| | (a) Capacitance change: Within ±25% of initial |
| | (b) Tan δ:200% or less of initial specified |
| | (c) Leakage current : Install specified value or less |

MAX Dissipation Factor: MAX 10% at 1KHz

SIZE TABLE (mm) : Diameter (DØ) x Length (L) m/m

| V.DC | 50V | 100V | V.DC | 50V | 100V | V.DC | 50V | 100V |
|------------|-------|-------|-----------|-------|-------|------------|-------|-------|
| µf | D x L | D x L | µf | D x L | D x L | µf | D x L | D x L |
| 1 | 8x17 | 8x17 | 12 | -- | 10x19 | 100 | 13x32 | 16x34 |
| 1.5 | 8x17 | 8x17 | 15 | 10x19 | 10x19 | 120 | -- | 16x34 |
| 2.2 | 8x17 | 8x19 | 18 | -- | 10x19 | 150 | 13x32 | 16x34 |
| 2.7 | -- | 8x19 | 22 | 10x24 | 10x24 | 220 | 16x38 | 18x44 |
| 3.3 | 8x17 | 10x19 | 27 | -- | 13x27 | 250 | 16x38 | 18x44 |
| 3.9 | -- | 10x19 | 33 | 13x27 | 13x27 | 270 | -- | 18x44 |
| 4.7 | 8x17 | 10x19 | 39 | -- | 13x27 | 300 | 16x38 | 18x44 |
| 5.6 | -- | 10x19 | 47 | 13x27 | 13x27 | 330 | -- | 22x44 |
| 6.8 | 8x19 | 10x19 | 56 | -- | 13x32 | 350 | 16x38 | 22x44 |
| 8.2 | -- | 10x19 | 68 | 13x32 | 13x32 | 470 | 18x44 | 25x52 |
| 10 | 8x19 | 10x19 | 82 | -- | 16x34 | -- | -- | -- |

Note: Other Values are available on request. WEET is capable of doing custom service for you.



WEE Technology Company Limited
ROOM 1405, 14/F, LUCKY CENTRE,
171 WANCHAI ROAD,
WANCHAI, HONG KONG
www.musicaps.com
sales@musicaps.com

All details in this data sheet are subject to change without notice.
For more details and updates, please visit our website.

Copyright © 2000 WEE Technology, All rights reserved.

