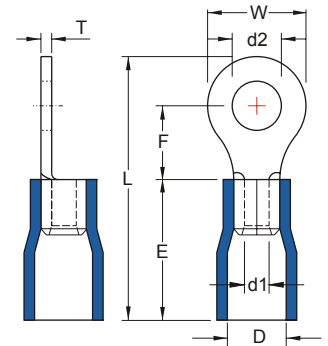


VINYL-INSULATED RING TERMINALS



MAXIMUM ELECTRIC CURRENT:

A.W.G.	16	14
AMP.	18	30

MAXIMUM ELECTRICAL RATING: 105°C 600 VOLTS MAX.

INSULATION MATERIAL: VINYL

INSULATION COLOR:

16-14 A.W.G.: BLUE

TERMINAL MATERIAL: COPPER

WIRE RANGE A.W.G. mm ²	ITEM NO.		STUD SIZE		DIMENSION ^{inch} / _{mm}						CRIMPING TOOL	Q'TY BOX		
	BRAZED SEAM	BUTTED SEAM	d2		W	F	L	E	D	d1			T	
16-14 A.W.G.	RVB2-2	RV2-2	#2	.087 2.2									IZUMI MODEL 34 WITH DIE INDEX COLOR:BLUE OR K.S. MODEL KST2000A HRI-126J WITH DIE INDEX COLOR:BLUE	1000
	RVB2-2.5	RV2-2.5	#2	.098 2.5	.260 6.6	.189 4.8	.709 18.0							1000
	RVB2-3.2	RV2-3.2 *	#4	.126 3.2			.701 17.8							1000
	RVBS2-3.2	RVS2-3.2	#4	.126 3.2	.217 5.5	.220 5.6	.724 18.4							1000
	RVBS2-3.7	RVS2-3.7 *	#6	.146 3.7		.189 4.8	.701 17.8							1000
	RVBM2-3.7	RVM2-3.7 *	#6	.146 3.7	.260 6.6	.243 6.3	.764 19.4							1000
	RVBL2-3.7	RVL2-3.7 *	#6	.146 3.7	.335 8.5	.291 7.4	.858 21.8							1000
	RVBS2-4	RVS2-4 *	#8	.169 4.3	.260 6.6	.243 6.3	.764 19.4							1000
	RVBL2-4	RVL2-4 *	#8	.169 4.3	.335 8.5	.307 7.8								1000
	RVBS2-5	RVS2-5 *	#10	.209 5.3			.858 21.8							1000
1.5-2.5 mm ²	RVBL2-5	RVL2-5 *	#10	.209 5.3	.374 9.5	.287 7.3		.394 10.0	.177 4.5	.091 2.3	.031 0.8			1000
	RVB2-6	RV2-6 *	1/4	.252 6.4			1.055 26.8							1000
	RVB2-7	RV2-7	5/16	.291 7.4	.472 12.0	.433 11.0	1.063 27.0							1000
	RVB2-8	RV2-8 *	5/16	.331 8.4			1.055 26.8							1000
	RVB2-9	RV2-9	5/16	.386 9.8	.535 13.6	.547 13.9	1.201 30.5							1000
	RVB2-10	RV2-10	3/8	.413 10.5										1000
	RVBL2-10	RVL2-10	3/8	.413 10.5	.756 19.2	.630 16.0	1.402 35.6							1000
	RVB2-12	RV2-12	1/2	.512 13.0			1.394 35.4							1000
	RVB2-14	RV2-14	9/16	.591 15.0										1000
	RVB2-16	RV2-16	5/8	.669 17.0	1.063 27.0	.827 21.0	1.744 44.3							1000
RVB2-20	RV2-20	3/4	.827 21.0									1000		



ALL LISTED

*: ADDITIONAL CERTIFIED

Mouser Electronics

Authorized Distributor

Click to View Pricing, Inventory, Delivery & Lifecycle Information:

[KS Terminals:](#)

[RV2-10](#) [RV2-12](#) [RVL2-3.7](#) [RVM2-3.7](#) [RVS2-4](#) [RVS2-5](#) [RV2-3.2](#) [RV2-6](#) [RV2-8](#) [RVL2-4](#) [RVL2-5](#) [RVS2-3.7](#)