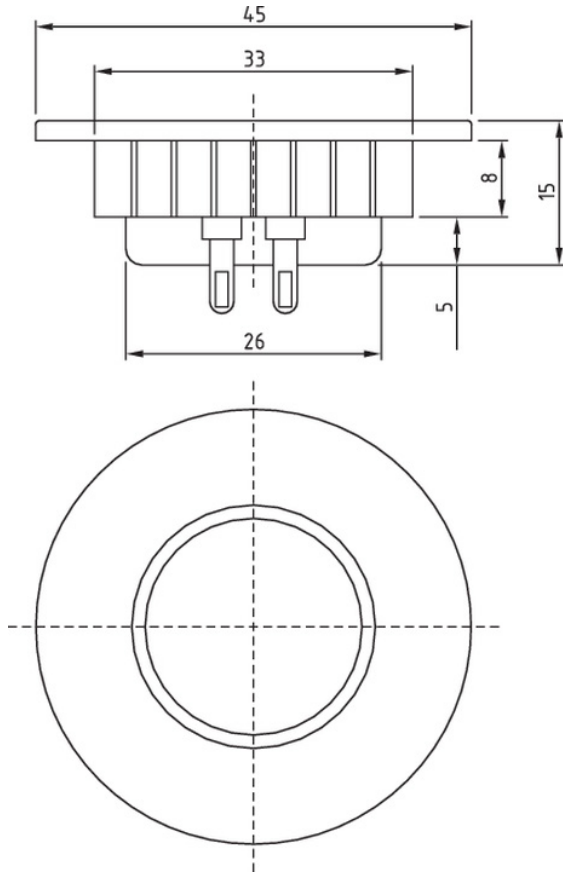




ND20FA-6 3/4" Neodymium Dome Tweeter 6 Ohm

ND20FA-6



PARAMETERS

Impedance	6 ohms
Re	5.2 ohms
Le	0.05 mH
Fs	2,005 Hz
Qms	1.50
Qes	2.88
Qts	0.99
Mms	N/A
Cms	N/A
Sd	2.8 cm ²
Vd	N/A
BL	N/A
Vas	N/A
Xmax	N/A
VC Diameter	19 mm
SPL	90 dB @ 1W/1m
RMS Power Handling	15 watts
Usable Frequency Range (Hz)	3,500 - 25,000 Hz

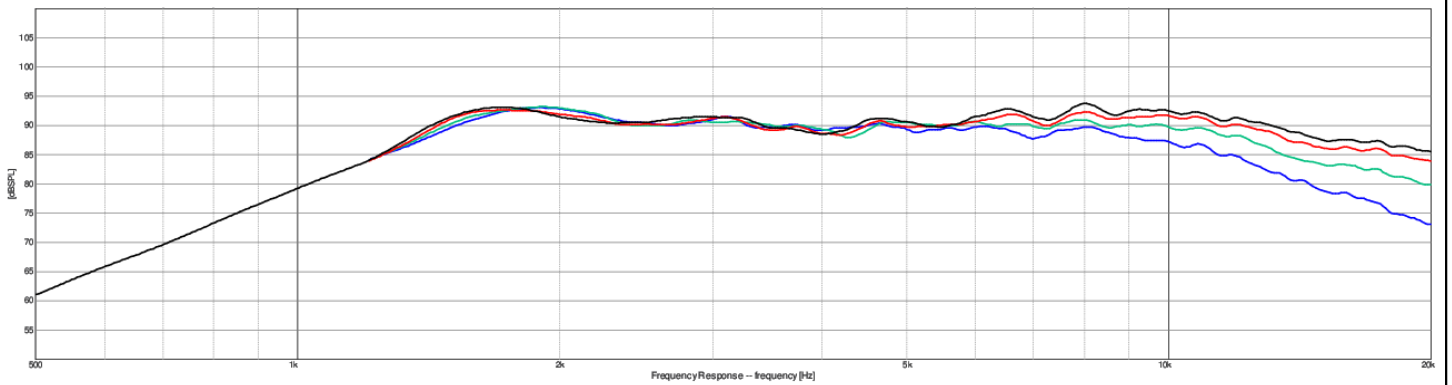
IMPEDANCE/PHASE



FEATURES

- Compact neodymium motors have low stray field
- Ferrofluid enhances power handling and helps damp resonance
- Front-mount pressfit design
- Center-to-center spacing as low as 1-3/4"
- Extremely flat and extended response

FREQUENCY RESPONSE



Note: 1/24th octave smoothing - nearfield response included in graph below 450 Hz.

Black = 0°
Red = 15°
Green = 30°
Blue = 45°